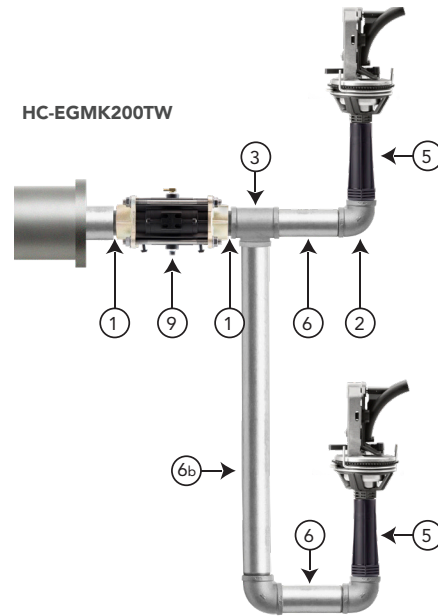
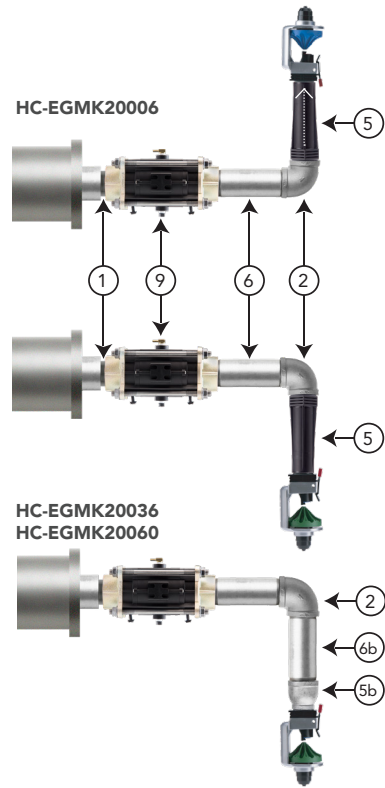
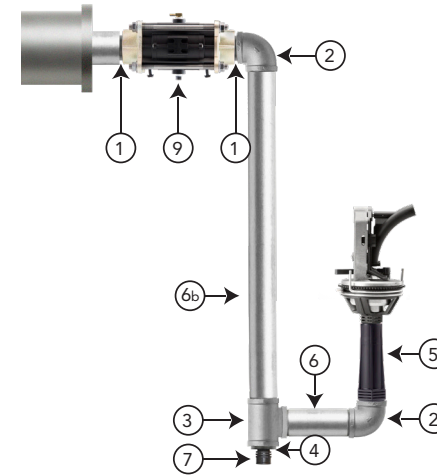


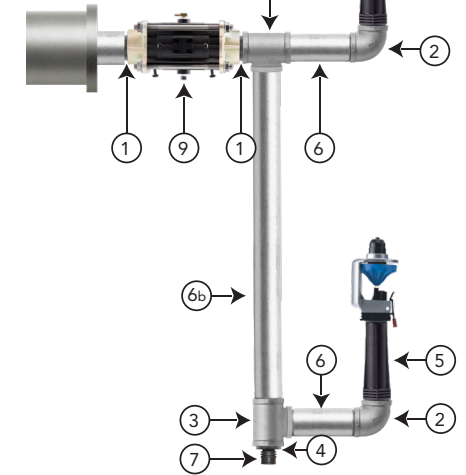
END OF PIVOT SPRINKLER MOUNT KIT INSTALLATION



HC-EGMK20036 or HC-EGMK20060 with
HC-EGMK200UP and HC-EGMK200DR



HC-EGMK200TW with
HC-EGMK200DR



Item	Code	Description	HC-EGMK20006	HC-EGMK20036	HC-EGMK20060	HC-EGMK200TW	HC-EGMK200UP	HC-EGMK200DR
1	HC-SN200	2" NPT Galv Barrel Nipple	1	1	1	2	1	1
1b*	HC-SN200B	2" BSP Galv Barrel Nipple						
1c*	HC-SN200BN	2" BSP/NPT Galv Barrel Nipple						
2	HC-SE200	2" NPT 90° Galv FxF Elbow	1	1	1	3	2	
3	HC-ST200	2" NPT Galv Tee				1		1
4	HC-SRB200100	2" x 1" NPT Galv Reducing Bush						1
5	13203-001	2" x 1 1/4" NPT MxF Adaptor	1			2		
5b	HC-SRS200125	2" x 1 1/4" NPT Galv Reducing Socket (coupler)		1	1			
6	HC-SP20006	2" NPT x 6" Galv Pipe Piece SBE	1	1	1	2	1	
6b*	HC-SP20036	2" NPT x 36" Galv Pipe Piece SBE		1		1		
6c*	HC-SP20060	2" NPT x 60" Galv Pipe Piece SBE			1			
7	HC-PDR100	1" NPT Drain						1
Not Shown		Threadtape	1	1	1	2	1	1
9		2" NPT End of Pivot Valve (Purchased Separately)						

Notes: Item #1b* Used for 2" BSP span outlet with end of pivot valve in BSP/NPT configuration
 Item #1c* Used for 2" BSP span outlet without end of pivot valve
 Item #6b & 6c depending on kit chosen