



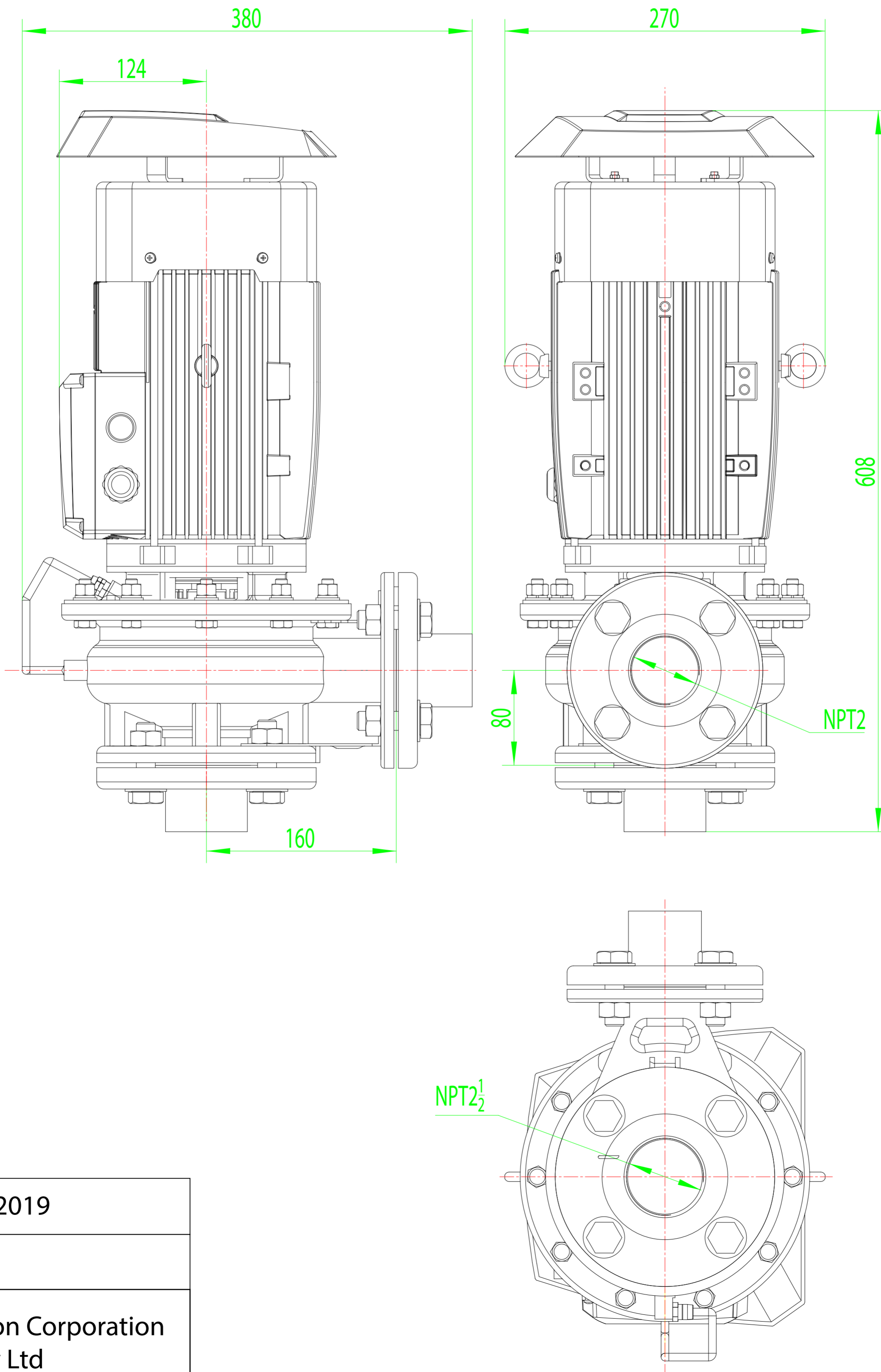
End Gun Booster Pump

HC-EGBP5022

50Hz with Comp Flanges

HC-EGBP5037

NPT(DIN and ANSI 125)



Date: 21/Nov/2019

Version: V1.01

Nelson Irrigation Corporation
of Australia Pty Ltd